



# POWER YOUR FUTURE

## Evopower Generators

- Cummins diesel engines
- UK Specification
- Deepsea control panels
- Varta batteries
- CHiNT Breakers
- Rust proofed weather proof canopies
- Heavy duty base skids with forklift & lifting eyes
- 2 years Engine warranty\*
- 3 years Genpower alternator warranty\*
- 3 years interest free credit available\*



Evopower Series – Powered By Cummins

## Technical Data: Model UKC80ECO-LR

### Evopower Generator

Prime Power	73kVA / 58kW
Standby Power	80kVA / 64kW
Voltage Line To Line	400V
Current Per Phase (Prime)	104A
Current Per Phase (Standby)	115A
Sound Level	70dB @7m

### Engine – DCEC Cummins

Model	4BTA3.9-G2
Aspiration	Turbocharger & Aftercooler
Fuel System	BYC PB Type
No. Cylinders	4
Displacement	3.9L
Bore*Stroke	102*120mm
Compression Ratio	17.3
Rated Speed	1500r/min
Net Power - prime	58kW
Governor Type	Electrical
Starter Motor	24V

### Exhaust System

Exhaust Gas Flow	125litre/sec.
Exhaust Gas Temp.	526°C
Max. Back Pressure	10kPa

### Aspiration System

Max. Inlet Pressure	6.35kPa
Combustion Volume	8.7m <sup>3</sup> /min
Air Flow	190m <sup>3</sup> /min

### Fuel System

100% Load (Prime Power)	14.9L/h
75% Load (Prime Power)	11.4L/h
50% Load (Prime Power)	8.1L/h
Fuel Tank Capacity	333L

### Lubrication System

Oil Capacity	16.4L
Oil Pressure (Continuous Operation)	345kPa

### Cooling System

Thermostat Operation Range	82-95°C
Max. Water Temperature	104°C

### Alternator

Model	Genpower	LK224F
	Optional: Stamford	UC1224F
Phase		3
Voltage		400/230V
Wiring Type		3 Phase 4 Wire, Y Type
Bearing		1
Power Factor		0.8
Frequency		50Hz
Exciter Type		Brushless, Self-Excitation
Voltage Regulation		
Protection Grade		±0.5%
Insulation Grade		IP 23
Altitude		H/H
		≤1000m

### Controller - DEEPSEA

Model	DSE6120
-------	---------

Protective Functions:

- Low Oil Pressure
- High Water Temperature
- High/Low Voltage
- High Engine Temperature And Overspeed
- Voltage Regulator Frequency Regulator
- Emergency Stop
- Start Failure



### Control Module Options



- Auto Generator Control Module
- Control Module With "Remote Control" Functions
- ATS Auto Load Transfer Screen
- Synchronising Control Modules
- Power Output Cabinet

## Technical Data: Model UKC80ECO-LR

### Standard Features

- Engine (DCEC Cummins)
- Radiator 50°C Max, engine driven fan
- 24V charge alternator
- Main Alternator: Single bearing alternator IP23, insulation class H/H
- Deep Sea standard auto control system
- 1 set of air filter, fuel filters & oil filters included
- Main line circuit breaker/MCCB by CHNT
- Base mounted fuel tank
- Twin Varta batteries
- Low noise exhaust system with rain flap
- User manual

### Options

- Battery charger
- Engine coolant heater
- Alternator heater
- Water oil separator
- 24/48h long run bunded fuel tank
- 3-way fuel valves for remote fuel tank
- Remote control panel
- Automatic transfer switch/ATS
- Paralleling multiple sets

### Warranty\*

#### Cummins Engine

12 months for prime power use (1200h per year)\*

24 months for standby use (500h per year)\*

\* Full engine service intervals to be adhered to.

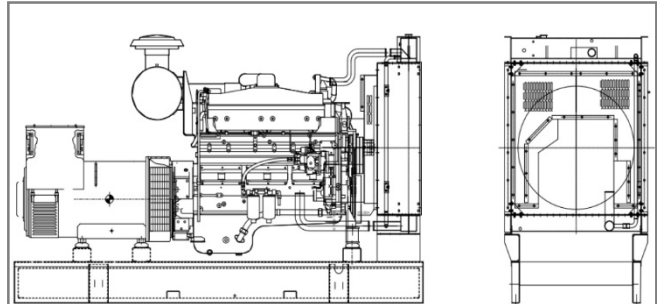
#### Genpower Alternator

36 Months from date of purchase or 3000 hours

#### Generator general components

12 months

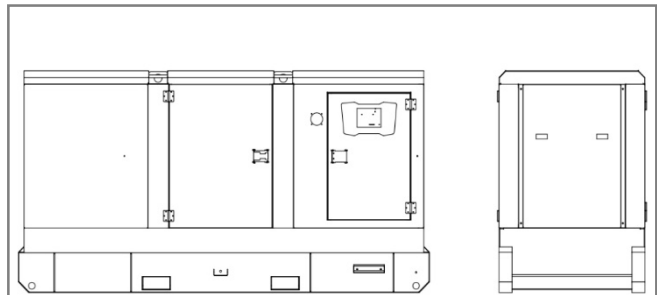
### Unit Dimensions (Basic Unit)



#### Open Type

L x W x H

1900 x 800 x 1300mm



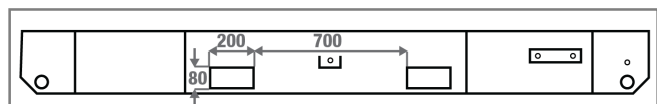
#### Silent Type

L x W x H

2538 x 1000 x 1550mm

Weight

1408kg



#### Forklift Slots

\*Interest free finance available subject to status

