



POWER YOUR FUTURE

Evopower Generators

- Cummins diesel engines
- UK Specification
- Deepsea control panels
- Varta batteries
- CHiNT Breakers
- Rust proofed weather proof canopies
- Heavy duty base skids with forklift & lifting eyes
- 2 years Engine warranty*
- 3 years Genpower alternator warranty*
- 3 years interest free credit available*



Evopower Series – Powered By Cummins

Technical Data: Model UKC360ECO

Evopower Generator

Prime Power	327kVA / 260kW
Standby Power	360kVA / 286kW
Voltage Line To Line	400V
Current Per Phase (Prime)	472A
Current Per Phase (Standby)	520A
Sound Level	70dB @7m

Engine – DCEC Cummins

Model	6LTAA9.5-G1
Aspiration	Turbocharged & air cooled
Fuel System	M fuel pump and E Governor
No. Cylinders	6
Displacement	9.5L
Rated Speed	1500r/min
Net Power - prime	290kW
Governor Type	Electrical
Starter Motor	24V
Torque (N.m)	1846
Inlet Air Flow (L/s)	281

Exhaust System

Exhaust Gas Flow	23 kg/min
Exhaust Gas Temp.	580°C
Max. Back Pressure	10kPa

Fuel System

100% Load (Prime Power)	34L/h
75% Load (Prime Power)	26L/h
50% Load (Prime Power)	17L/h
Fuel Tank Capacity	1970L

Cooling System

Heat rejection to coolant(kW)	97
Radiator coolant flow (L/min)	3

Turbo Charger

Turbo Comp.Outlet Pressure (kPa)	210
Temperature (deg C)	190
Fuel Consumption (kg/hr)	58

Alternator

Model	Genpower	LK444ES
	Optional: Stamford	HC1444ES
Phase		3
Voltage		400/230V
Wiring Type		3 Phase 4 Wire, Y Type
Bearing		1
Power Factor		0.8
Frequency		50Hz
Exciter Type		Brushless, Self-Excitation
Voltage Regulation		±0.5%
Protection Grade		IP 23
Insulation Grade		H/H
Altitude		≤1000m

Controller - DEEPSEA

Model	DSE6120
-------	---------

Protective Functions:

- Low Oil Pressure
- High Water Temperature
- High/Low Voltage
- High Engine Temperature And Overspeed
- Voltage Regulator Frequency Regulator
- Emergency Stop
- Start Failure



Control Module Options



- Auto Generator Control Module
- Control Module With “Remote Control” Functions
- ATS Auto Load Transfer Screen
- Synchronising Control Modules
- Power Output Cabinet

Technical Data: Model UKC360ECO

Standard Features

- Engine (DCEC Cummins)
- Radiator 50°C Max, engine driven fan
- 24V charge alternator
- Main Alternator: Single bearing alternator IP23, insulation class H/H
- Deep Sea standard auto control system
- 1 set of air filter, fuel filters & oil filters included
- Main line circuit breaker/MCCB by CHNT
- Base mounted fuel tank
- Twin Varta batteries
- Low noise exhaust system with rain flap
- User manual

Options

- Battery charger
- Engine coolant heater
- Alternator heater
- Water oil separator
- 24/48h long run bunded fuel tank
- 3-way fuel valves for remote fuel tank
- Remote control panel
- Automatic transfer switch/ATS
- Paralleling multiple sets

Warranty*

Cummins Engine

12 months for prime power use (1200h per year)*

24 months for standby use (500h per year)*

* Full engine service intervals to be adhered to.

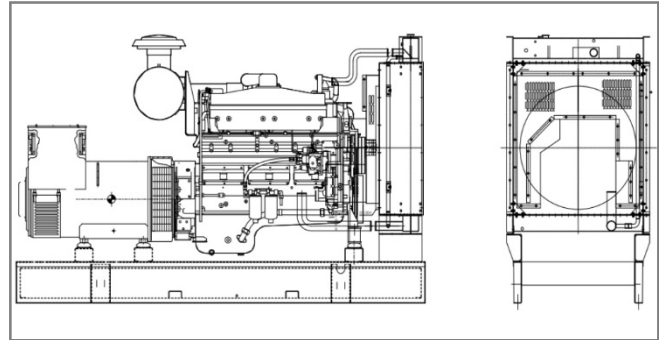
Genpower Alternator

36 Months from date of purchase or 3000 hours

Generator general components

12 months

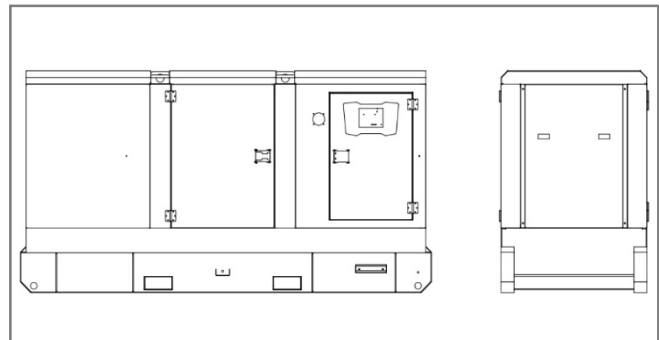
Unit Dimensions (Basic Unit)



Open Type

L x W x H

2650 x 1000 x 1800mm



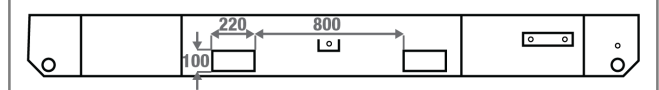
Silent Type

L x W x H

3588 x 1180 x 2150mm

Weight

3421kg



Forklift Slots

*Interest free finance available subject to status

